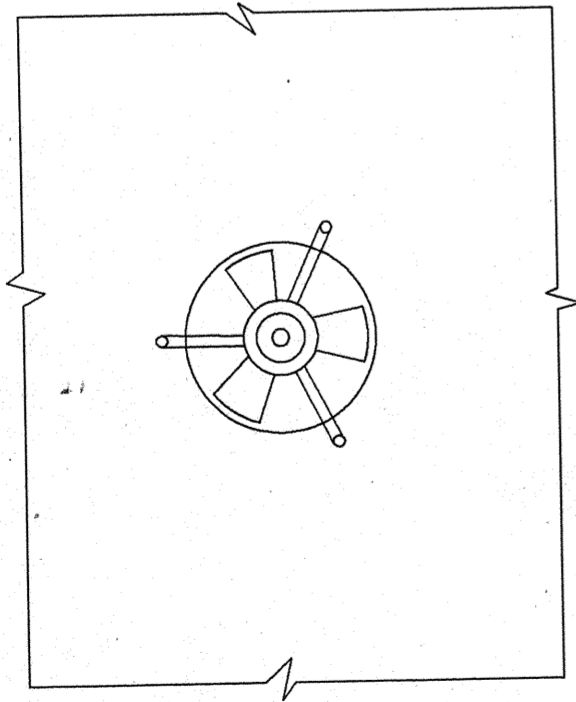
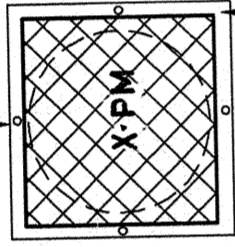


## NOTES

- 1) CONTRACTOR TO CHECK AND VERIFY ALL DIMENSIONS BEFORE EXECUTION OF THE WORK
- 2) FIGURED DIMENSIONS SHALL BE FOLLOWED
- 3) ALL DIMENSIONS ARE IN MM



4 NOS HOLE FOR FIXING  
F.I. FRAME TO WALL

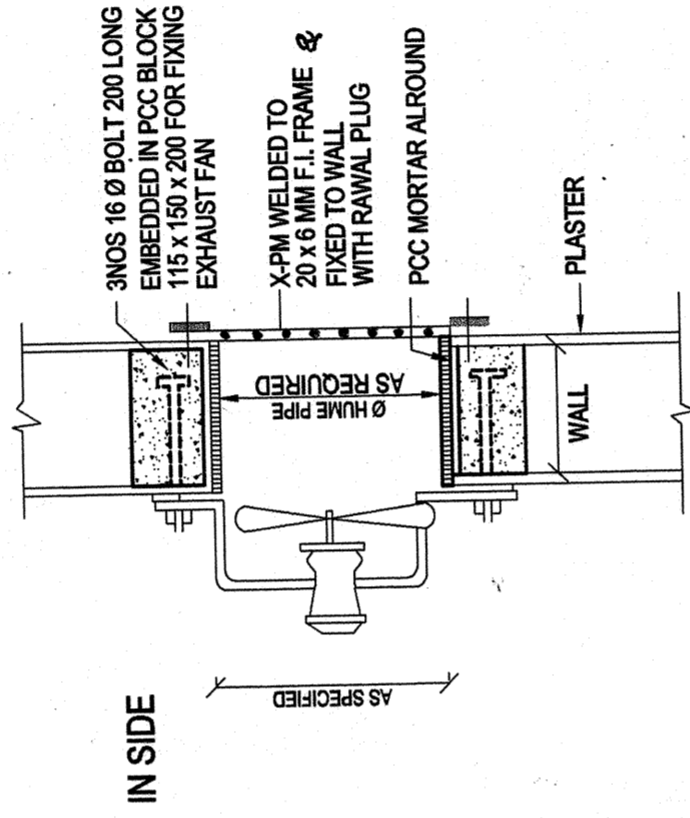


X-PM WELD TO 20 x 6mm.  
F.I. FRAME

OUT SIDE

IN SIDE  
ELEVATION  
SCALE :- 1:100

ELEVATION  
SCALE :- 1:100



TRUE COPY

TRACED IN THE OFFICE OF CHIEF ENGINEER PUNE ZONE

TRACED BY	MP V JADHAV	CHECKED BY	
DATE	06/09/97		
		AA (Shri v.v. Kulkarni)	
DRN	MRATHE	DATE	6/9/97
TCD		SCALE	AS SHOWN
CAL		CHIEF ENGINEER PUNE ZONE	
CKD		PUNE	

DETAILS OF FIXING OF EXHAUST FAN  
PLAN, ELEVATION, AND SECTION

DATE - 10-4-03

THIS DRAWING  
COMPARED BY  
SHRI. B.P. DORPHADE  
D/man-I

sd/-  
ASSTT ARCHITECTsd/-  
ARCHITECTSOI (E/M)  
FOR CHIEF ENGINEER

DRG. NO. CEPZ91/19M

SHT. 1/1

26

33